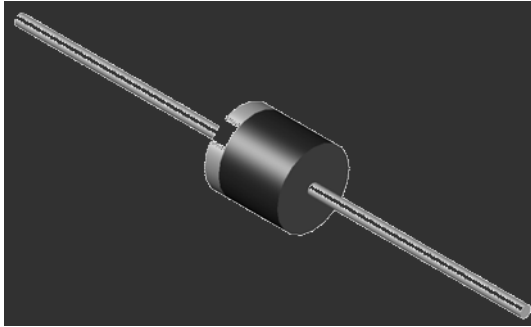


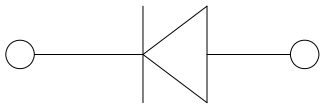


10A Series Power Rectifier Diodes



- High efficiency
- High current capability
- High reliability
- High surge current capability
- Low power loss
- Glass passivated chip junction
- Solder dip 275 °C max. 7 s, per JESD 22-B106

For use in general purpose rectification of power supplies, inverters, converters, and freewheeling diodes for consumer, and telecommunication.



Molding compound meets UL 94 V-0 flammability rating, RoHS-compliant
 Tin plated leads, solderable per J-STD-002 and JESD22-B102
 Color band denotes cathode end

Electrical Characteristics (Ta=25 °C - Unless otherwise specified)

Device Marking Code	VRM	VRMS	VDC	10A05G	10A1G	10A2G	10A4G	10A6G	10A8G	10A10G
Device marking code				10A05G	10A1G	10A2G	10A4G	10A6G	10A8G	10A10G
Maximum Repetitive Peak Reverse Voltage	VRRM	V	V	50	100	200	400	600	800	1000
Maximum RMS Voltage	VRMS	V	V	35	70	140	280	420	560	700
Maximum DC blocking Voltage	VDC	V	V	50	100	200	400	600	800	1000

Average Forward Current
 @60Hz sine wave, Resistance load, Ta =50

Typical junction capacitance @ Measured at 1MHz and Applied Reverse Voltage of 4.0 V.D.C	Cj	pF		53						
Storage Temperature	Tstg	-		-55 ~ +150						
Junction Temperature	Tj	-		-55 ~ +150						

	UNIT	TEST CONDITIONS	10A05G	10A1G	10A2G	10A4G	10A6G	10A8G	10A10G
Maximum instantaneous forward voltage drop per diode	VF	V	IFM=10.0A	1.1					
Maximum DC reverse current at rated DC blocking voltage per diode	IR	µA	Tj=25 °C	2.5					
			Tj=125 °C	100					

v7KHUPDO & KDUDFWHVLVWDFV RWKHUÁL VH VSHFLILHG

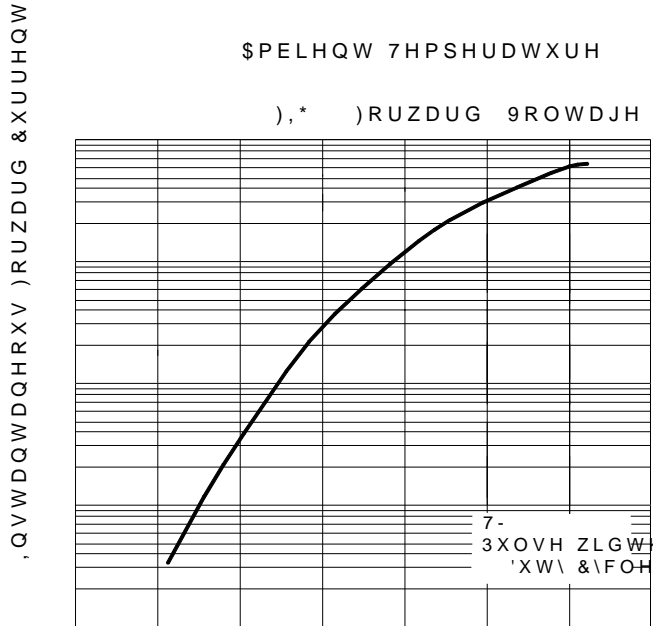
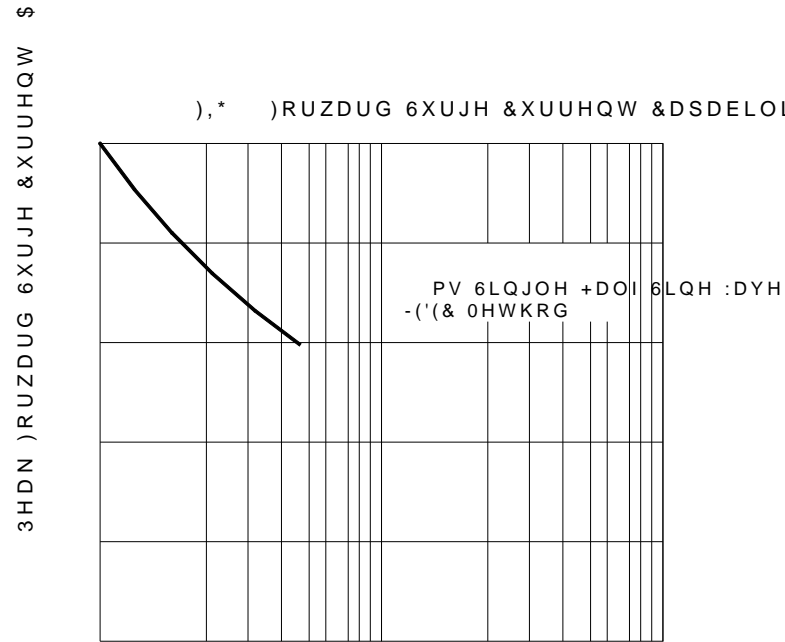
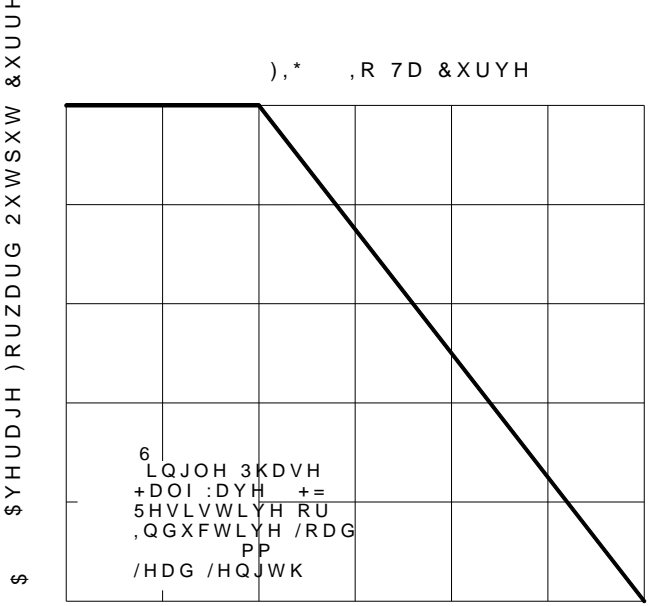
3\$5\$0(7(5	6<0%2/	81,7	\$ *	\$ *	\$ *	\$ *	\$ *	\$ *	\$ *	
7\SLFDO 7KHUPDO	5HVLVWDFV	QDFH								

v2UGHULQJ , QIRUPPSQLRQ

35() (5(' 3 1	3\$&.\$*(&2'()	81,7 :(*+7	0,1,080 3\$&.\$*(SF	,11(5 %2; 48\$17,7< S	287(5 &\$572 48\$17,7< S	'(/,9(5< 02'()
\$ *a \$ *	'	\$SSUR[LPDWH				
\$ *a \$ *	&	\$SSUR[LPDWH				

7DSH
%XO

& KDUDFWHVLVWDFV



XV



8]gW'U]a Yf'

The information presented in this document is for reference only. Yangzhou Yangjie Electronic Technology Co., Ltd. reserves the right to make changes without notice for the specification of the products displayed herein to improve reliability, function or design or otherwise.

The product listed herein is designed to be used with ordinary electronic equipment or devices, and not designed to be used with equipment or devices which require high level of reliability and the malfunction of which would directly endanger human life (such as medical instruments, transportation equipment, aerospace machinery, nuclear-reactor controllers, fuel controllers and other safety devices), Yangjie or anyone on its behalf, assumes no responsibility or liability for any damages resulting from such improper use of sale.

This publication supersedes & replaces all information previously supplied. For additional information, please visit our website [http:// www.21yangjie.com](http://www.21yangjie.com) , or consult your nearest Yangjie's sales office for further assistance.